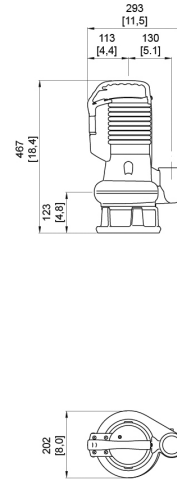
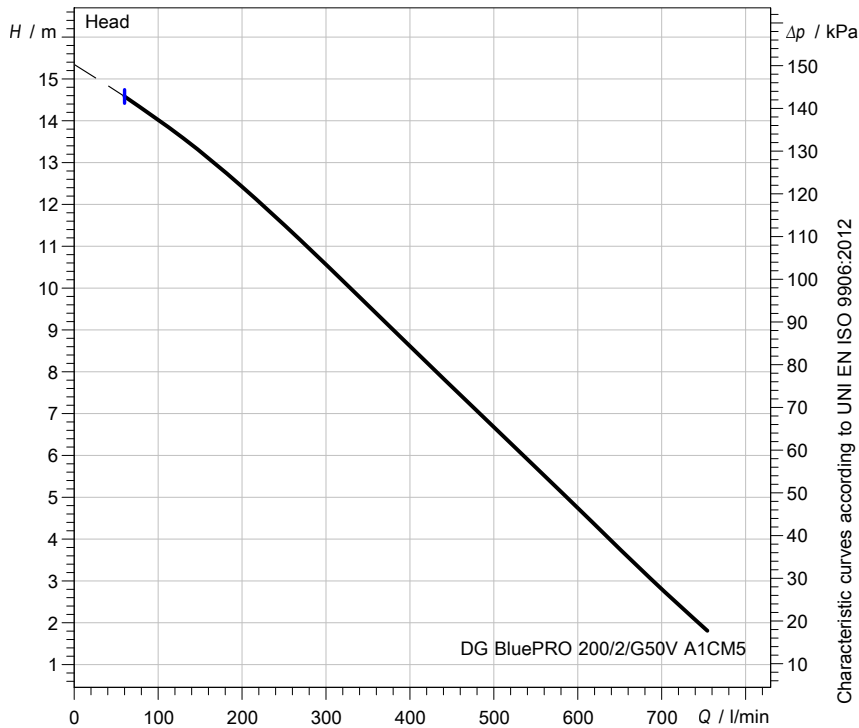




water solutions

Data sheet

**DG BluePRO 200/2/G50V A1CM5****blue**  
PROFESSIONAL  
series**Technical specification****1~ 50 Hz**[ mm ]  
[ inch ]**Pump**

Series	BluePRO series
Pump name	DG BluePRO 200/2/G50V A1CM5
Configuration	NGTCB51H23N00CX
Standard	IEC 60079-0, IEC 60079-15
IECeX mark	Ex nA IIC T3 Gc Ex nA nC IIC T3 Gc

**Operating limits (standard pumps)**

Max. ambient temperature	40 °C
Max. density treated liquid	1100 kg/m <sup>3</sup>
Max. immersion depth	10 m
pH treated liquid	6 ÷ 14
Max. start per hour (equally distributed)	30
Wet/dry use	WET
Max. acoustic pressure level	70 dB
Operating mode	S1 - Continuous use

**Motor data**

Rated voltage	230 V
Frequency	50 Hz
Motor phases	1~
Number of poles	2
Rated power P2	1,50 kW
Incoming power P1	2,20 kW
Rated current	10,0 A
rpm	2750 1/min
Efficiency	66,5 %
cos $\phi$	0,98
Rated torque	5,2 Nm
Start	
Degree of protection	IP 68
Insulation class	F

**Construction materials**

Case	Cast iron EN-GJL 250
Shaft	Stainless steel - AISI 420
Hydraulic	Cast iron EN-GJL 250
Impeller	Cast iron EN-GJL 250
Painting/Coating	Bi-epoxy 80 $\mu$ m
Screws	Stainless steel - Class A2-70
Gaskets	NBR
Foot base (if present)	Cast iron EN-GJL 250

**Hydraulic**

Type	DG (Set-back Vortex)
Free passage	50 mm
Impeller type	Vortex impeller
Max. hydraulic efficiency	
Suction	-
Discharge	G 2" -
Curve tolerance	UNI EN ISO 9906:2012

**Construction features**

Main cable	3G1
Control cable	-
Cable length	10 mt - Shuko plug
Mechanical seals	2 in silicon carbide (2SiC)
Additional drilling	-
Weight*	24 kg
Electrical variant	Thermal protection and capacitor

\* cable's weight not included

Rev. 0 - 16-12-2014

All data shown are not binding. Zenit reserves the right to change data and dimensions without notice.

Created on 2017-04-27

zenit.com

Page 1 / 3



water solutions

Data sheet

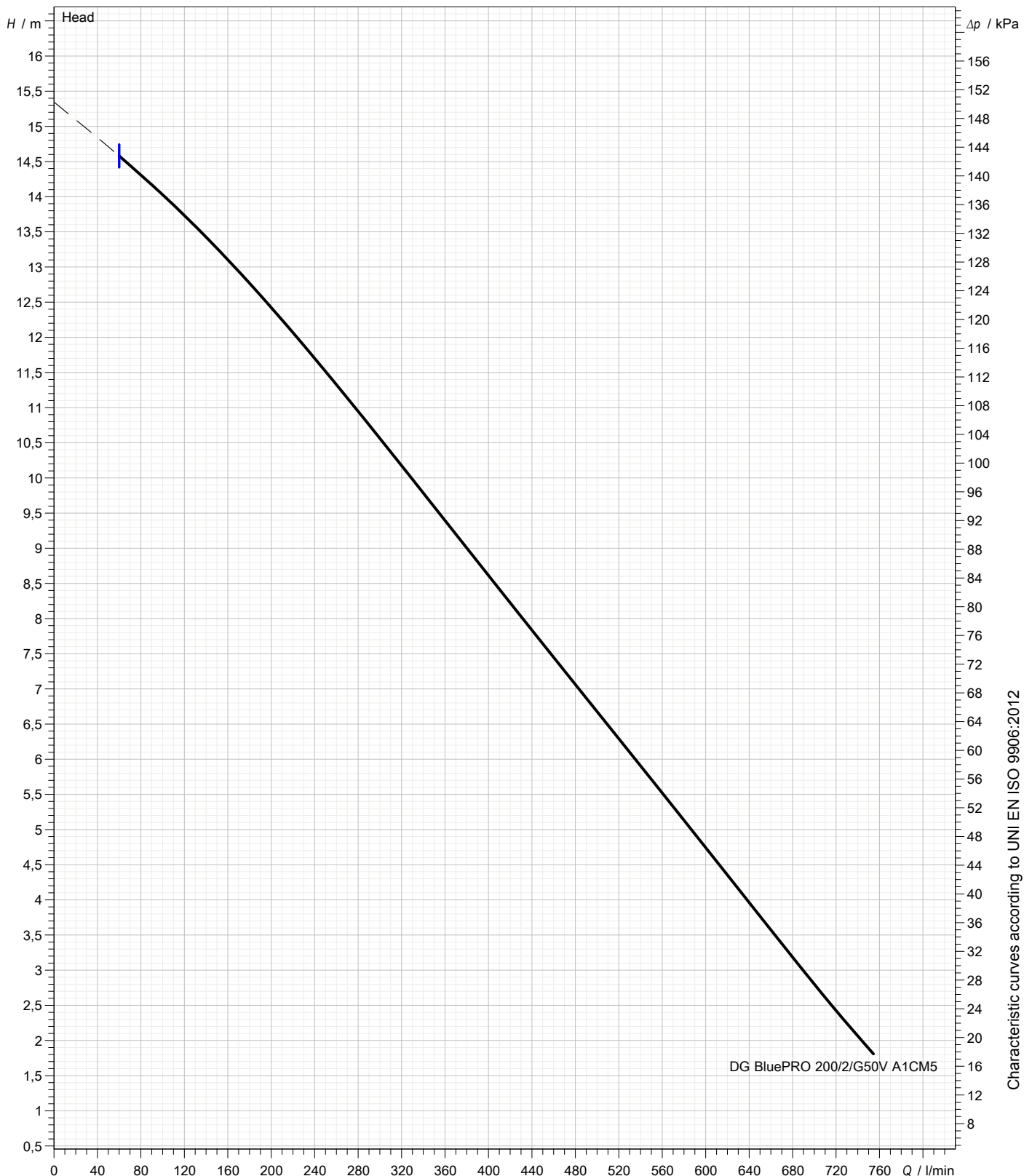
# DG BluePRO 200/2/G50V A1CM5

**blue**  
PROFESSIONAL  
series

## Pump performance curves

1~ 50 Hz

Hydraulic type DG (Set-back Vortex)	Impeller type Vortex impeller	Free passage 50 mm	Discharge G 2"	Suction -	
<b>DUTY POINT</b>					
Flow	Head	Shaft power P2	Hydraulic efficiency	Density 998,3 kg/m <sup>3</sup>	Viscosity 1,005 mm <sup>2</sup> /s



Characteristic curves according to UNI EN ISO 9906:2012



water solutions

Data sheet

# DG BluePRO 200/2/G50V A1CM5

**blue**  
PROFESSIONAL  
series

## Dimensional drawing

1~ 50 Hz

**Installation type** Installation with bottom coupling device - Vertical outlet + GTP

WET/DRY use: WET

Discharge: G 2" -

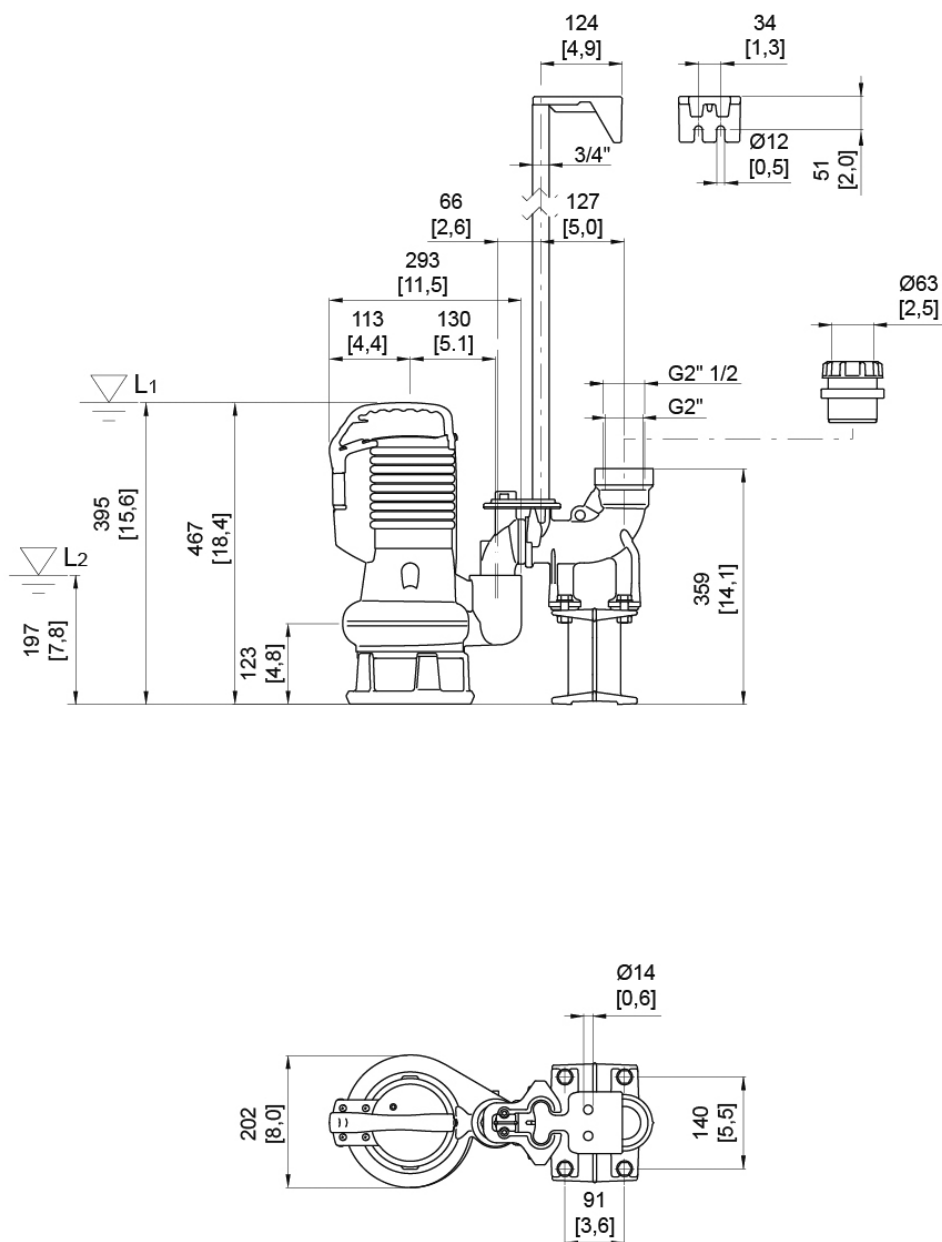
Suction: -

Pressure rating (suction/discharge): -

Accessory \* : DAC G50V/G50V-G65V 3/4"+GTP (P)

Accessory code \* : 9028.007

\* Accessory must be ordered separately



L1: Minimum operating level for continuous use

L2: Minimum operating level for discontinuous use

[ mm ]  
[ inch ]

All data shown are not binding. Zenit reserves the right to change data and dimensions without notice.

zenit.com

Created on 2017-04-27

Page 3 / 3